

E910EV

Vertical Rod w/ ELR



FEATURES & OPTIONS

Voltage

24VDC @ 700 mA activation, 200 mA continuous

Door Height

For all doors up to 7'0" or 8'0" high

Door Width

For all doors up to 36" or 48" wide

Stile

2-5/8" minimum for single doors and standard 5/8" stop

Material

Cover: Stainless steel, zinc

Cover Tube: Aluminum

End Cap: Zinc

Dogging

No dogging on fire rated devices

Strike (Top & Bottom)

Solid stainless steel

Top Latch

1/2" throw, Pullman type with automatic dead-latching, Stainless steel

Bottom Latch

1/2" throw, Pullman type, held retracted during door swing, Stainless steel

Mounting

Furnished standard with wood, machine screws and thru-bolts

Handing

Non-handed

Projection

3" maximum projection, 2-5/8" when depressed

Operation

Momentary or maintained latch bolt and push pad retraction, with simultaneous dogging. Automatic re-triggering of latch retraction.

OPTIONS

- REX – Request to Exit
- LBM – Latch Bolt Monitoring
- REXLBM – REX + LBM

WARRANTY

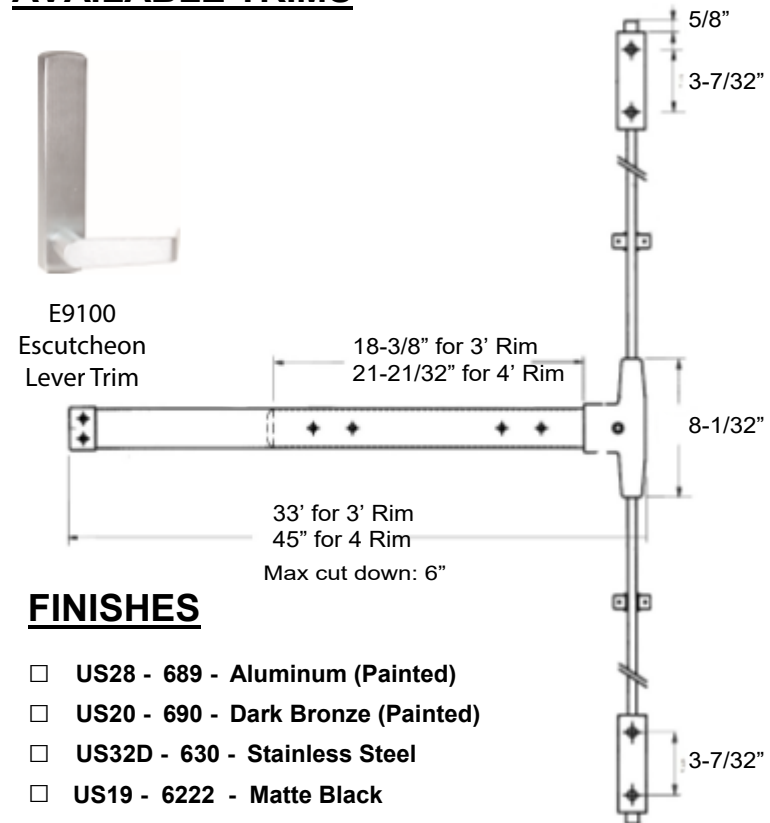
- Ten years mechanical warranty
- One year electrical warranty
- Five years finish warranty



CODE COMPLIANCE

- ANSI A156.3, Grade 1
- UL listed for Panic and UL10C, UBC 7-2-1997 code

AVAILABLE TRIMS



FINISHES

- US28 - 689 - Aluminum (Painted)
- US20 - 690 - Dark Bronze (Painted)
- US32D - 630 - Stainless Steel
- US19 - 6222 - Matte Black