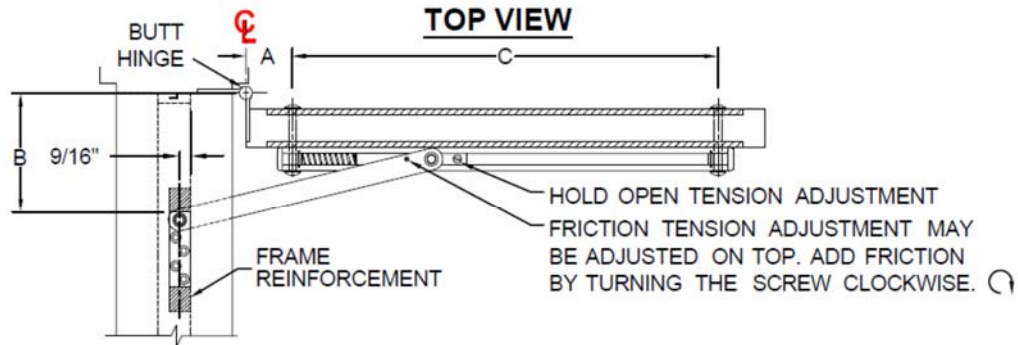


DD08-14 Surface Overhead Stop – Heavy Duty

REVERSIBLE

FOR SINGLE ACTING DOORS ONLY

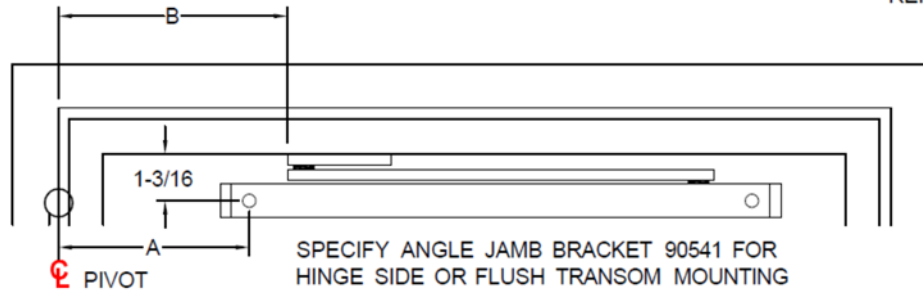
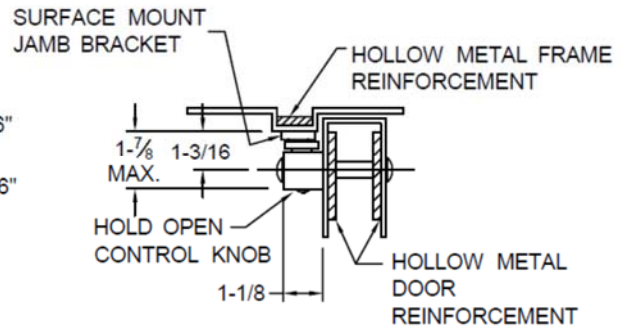
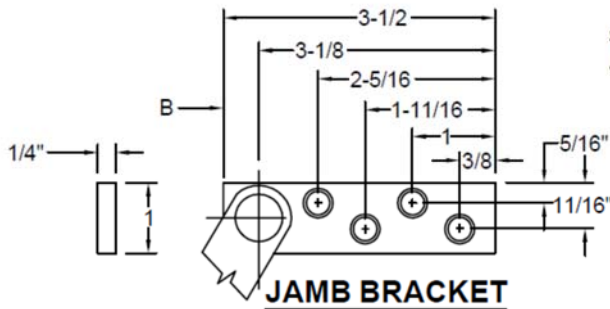
NON - HANDED



FRICITION ADJUSTMENT



ALIGN FRICTION TENSION ADJUSTMENT SCREW TO THIS HOLE.
ADD FRICTION BY TURNING THE SCREW COUNTERCLOCKWISE. ⚙

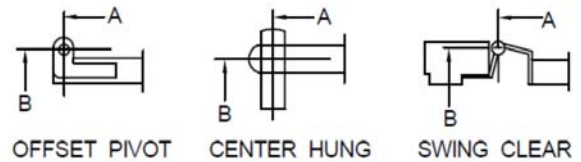


SPECIFY ANGLE JAMB BRACKET 90541 FOR HINGE SIDE OR FLUSH TRANSOM MOUNTING

NOTE: ALL A & B DIMENSIONS MEASURED FROM ⚙ OF PIVOT.

SCREW DETAIL			
	QTY	WOOD	METAL
JAMB	4	No. 14 X 1-1/2" F.H.W.S.	1/4" - 20 X 3/4" F.H.M.S.
DOOR	2	5/16" - 18 x 2" TRUSS HD MS 1/2" DIA. SEX BOLT	5/16" - 18 x 2" TRUSS HD MS 1/2" DIA. SEX BOLT

NOTE: A, B, & C DIMENSIONS MEASURED AS SHOWN



ALWAYS REQUEST LATEST TEMPLATE
DRAWINGS FOR NEW INSTALLATIONS

DO NOT SCALE DRAWINGS
ALL DIMENSIONS ARE IN INCHES

DD08-14 Surface Overhead Stop – Heavy Duty

Installation Dimension Chart

1-3/4" to 2-1/4" Door Thickness

Butt, Swing Clear Hinge, Offset Pivot

Degree	85 H.O.		90 H.O.		95 H.O.		100 H.O.		105 H.O.		110 H.O.		
Model #	A	B	A	B	A	B	A	B	A	B	A	B	C
DD08-14x30	5-3/16	8	4-11/16	7-1/2	4-5/16	7-1/8	4	6-13/16	3-11/16	6-1/2	3-7/16	6-1/4	20-15/16
DD08-14x36	8-7/8	9-11/16	8-1/4	9-1/16	7-13/16	8-5/8	7-3/8	8-3/16	7-1/16	7-7/8	6-11/16	7-1/2	22-13/16

Center Hung

Degree	85 H.O.		90 H.O.		95 H.O.		100 H.O.		105 H.O.		110 H.O.		
Model #	A	B	A	B	A	B	A	B	A	B	A	B	C
DD08-14x30	5-13/16	8-5/8	5-3/8	7-3/16	4-15/16	7-3/4	4-5/8	7-7/16	4-5/16	7-1/8	4-1/16	6-7/8	20-15/16
DD08-14x36	9-1/2	10-5/16	8-15/16	10-3/4	8-7/16	9-1/4	8	8-13/16	7-5/8	8-7/16	7-1/4	8-1/16	22-13/16

** FOR DEAD STOP ADD 5/8" TO "A" DIMENSION