

Single Cylinder Deadbolt *FD3 Series*



FEATURES & OPTIONS

Door Preparation

Cross Bore: 2-1/8", Edge: 1"

Latch Backset

Adjustable deadbolt standard

Faceplate

1" x 2-1/4" round corner standard
(other options available)

Bolt

1" throw

Door Thickness

Fit 1-3/8" to 1-3/4" standard
(extension kit available for 1-3/4" to 2-1/4" door)

Cylinder

5-pin KW keyway solid brass standard
5 and 6-pin SC "C" keyway available

Strike Plate

2-1/4" x 1-3/4" round corner full lip strike standard
(other options available)

Handing

Non-Handed

ANSI/BHMA

A 156.5 Grade 3

FINISHES

(other finishes available upon request with lead-time)

- US3 – 605 – Polished Brass
- US5 – 609 – Antique Brass
- US10B – 613 – Oil Rubbed Bronze
- US15 – 619 – Satin Nickel
- US19 – 622 – Matte Black
- US26 – 625 – Polished Chrome
- US32D – 630 – Satin Stainless Steel

WARRANTY

- Lifetime mechanical warranty
- Five years finish warranty

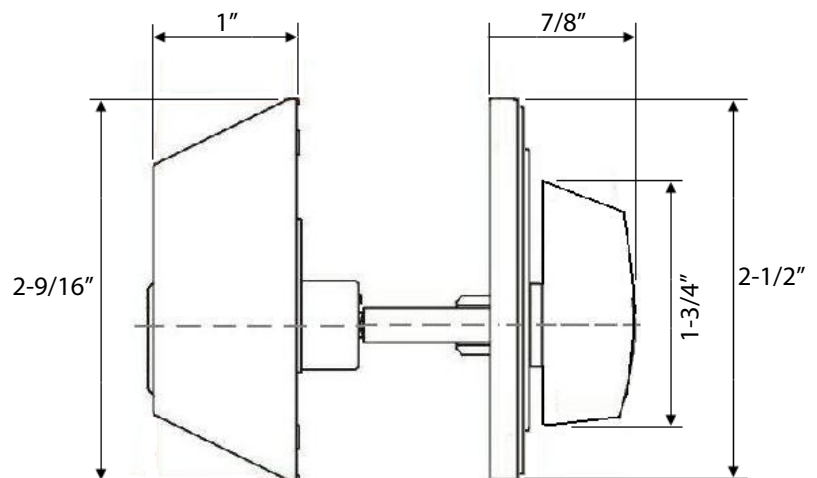
FUNCTIONS

Single Cylinder – E2151 (FD31)

Bolt is operated by key from outside and turn-piece inside.

Double Cylinder – E2141 (FD32)

Bolt is operated by key on both sides.



Double Cylinder Deadbolt *FD3 Series*



FEATURES & OPTIONS

Door Preparation

Cross Bore: 2-1/8", Edge: 1"

Latch Backset

Adjustable deadbolt standard

Faceplate

1" x 2-1/4" round corner standard
(other options available)

Bolt

1" throw

Door Thickness

Fit 1-3/8" to 1-3/4" standard
(extension kit available for 1-3/4" to 2-1/4" door)

Cylinder

5-pin KW keyway solid brass standard
5 and 6-pin SC "C" keyway available

Strike Plate

2-1/4" x 1-3/4" round corner full lip strike standard
(other options available)

Handing

Non-Handed

ANSI/BHMA

A 156.5 Grade 3

FINISHES

(other finishes available upon request with lead-time)

- US3 – 605 – Polished Brass
- US5 – 609 – Antique Brass
- US10B – 613 – Oil Rubbed Bronze
- US15 – 619 – Satin Nickel
- US19 – 622 – Matte Black
- US26 – 625 – Polished Chrome
- US32D – 630 – Satin Stainless Steel

WARRANTY

- Lifetime mechanical warranty
- Five years finish warranty

FUNCTIONS

Single Cylinder – E2151 (FD31)

Bolt is operated by key from outside and
turn-piece inside.

Double Cylinder – E2141 (FD32)

Bolt is operated by key on both sides.

