

# Alameda

## FYH Series

(CLUTCH Mechanism)



### FEATURES & OPTIONS

#### Latch Backset

Exterior: 2-3/4" UL deadlatch standard  
Interior: 2-3/4" UL plainlatch standard  
(other options available)

#### Faceplate

1-1/8" x 2-1/4" square corner standard  
(other options available)

#### Bolt

1/2" throw

#### Door Thickness

Fit 1-3/8" to 2-1/4"

#### Cylinder

6-pin SC "C" keyway solid brass cylinder standard

Also available in:

5-pin KW keyway

6 / 7 pin small format interchangeable core

#### Strike Plate

4-7/8" x 1-1/4" ASA strike standard  
(other options available)

#### Handing

Reversible for left or right hand doors

### SPECIFICATIONS

**Lockset:** Lock or latchset shall be by **PAMEX** model # **FYH Series**. All locks shall be non-handed and provide with 3 hour rated solid brass plain or deadlatch. Lock chassis shall have heavy duty lever spring return rose assembly with clutch mechanism and thru bolts for proper installation.

### FINISHES

(other finishes available upon request with lead-time)

- US10B – 613 – Oil Rubbed Bronze
- US15 – 619 – Satin Nickel
- US26D – 626 – Satin Chrome

### CODE COMPLIANCE

- Meets ANSI/BHMA A156.2, Series 4000, Grade 1
- Meets ADA Requirements
- UL 3-Hour Fire Rated

### WARRANTY

- Lifetime mechanical warranty
- Five years finish warranty



### FUNCTIONS

#### Entry

Turn/Push button locking: Pushing button lock outside lever until unlock with key or inside lever is turned. Pushing and Turning inside button lock outside lever requiring use of key to open until button is manually unlocked. Inside lever always free.

#### Privacy

Outside lever locked by pushing inside push bottom and unlock by a coin or screwdriver outside. Closing door does release push button. Inside lever always free.

#### Passage

Both levers always are free.

#### Storeroom

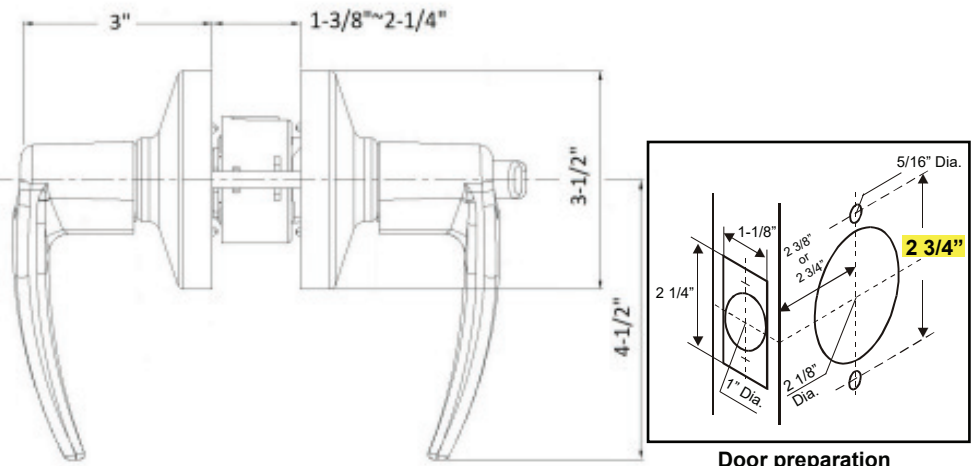
Outside lever always fixed and unlocked by key only. Inside lever always free.

#### Classroom

Outside lever locked or unlocked by key. Inside lever always free.

#### Communicating

Key locks or unlocks either lever independently of the other.



Door preparation