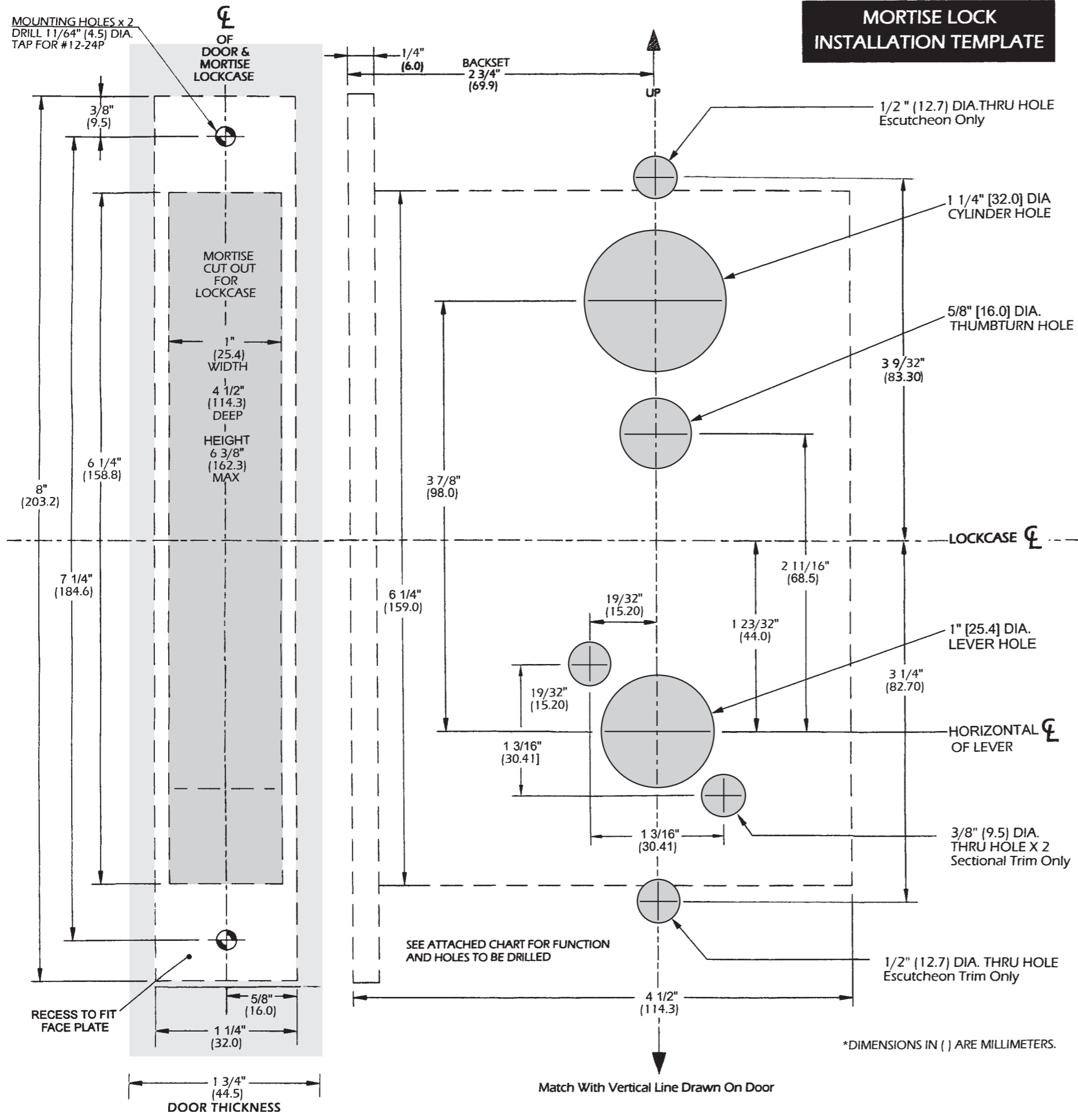
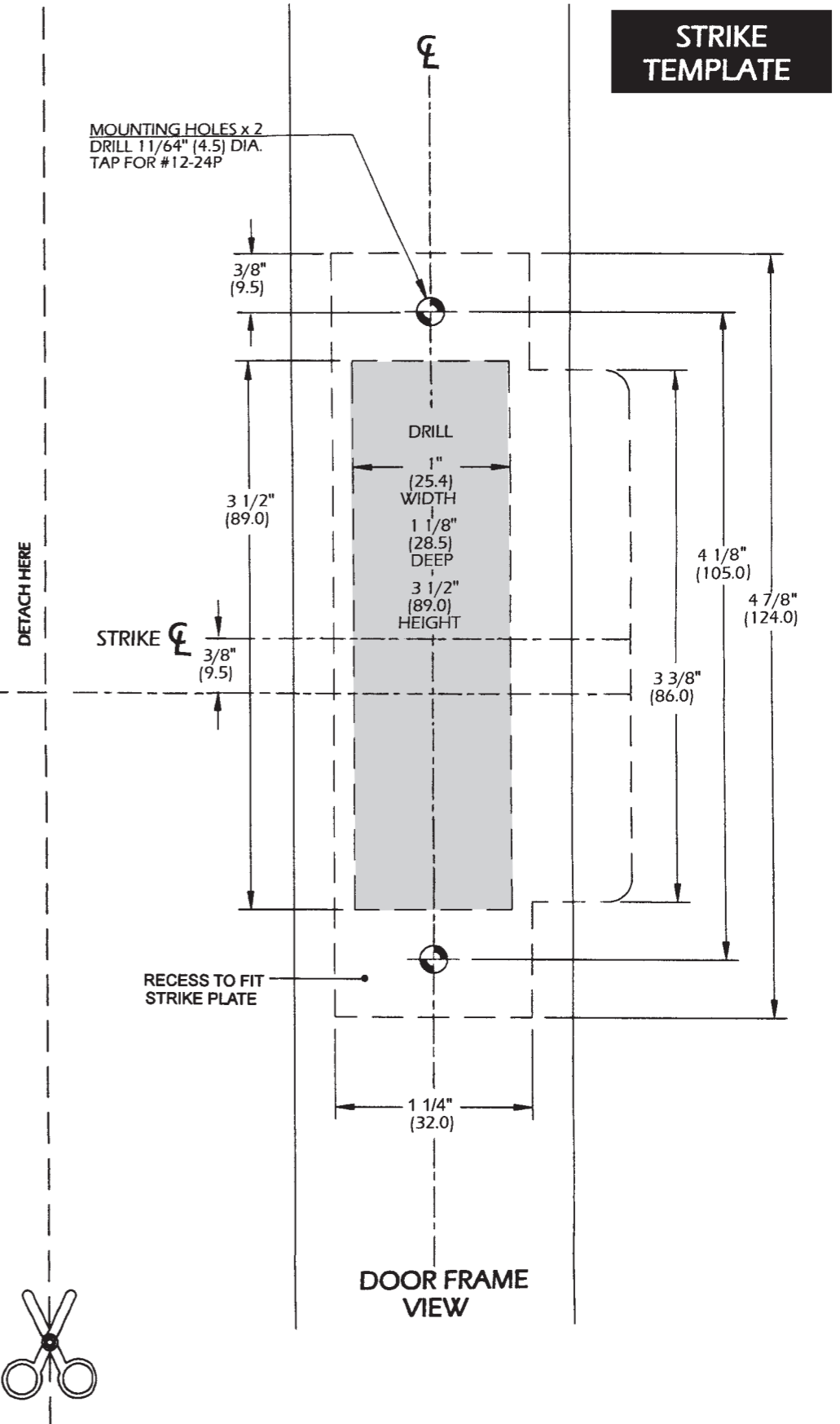


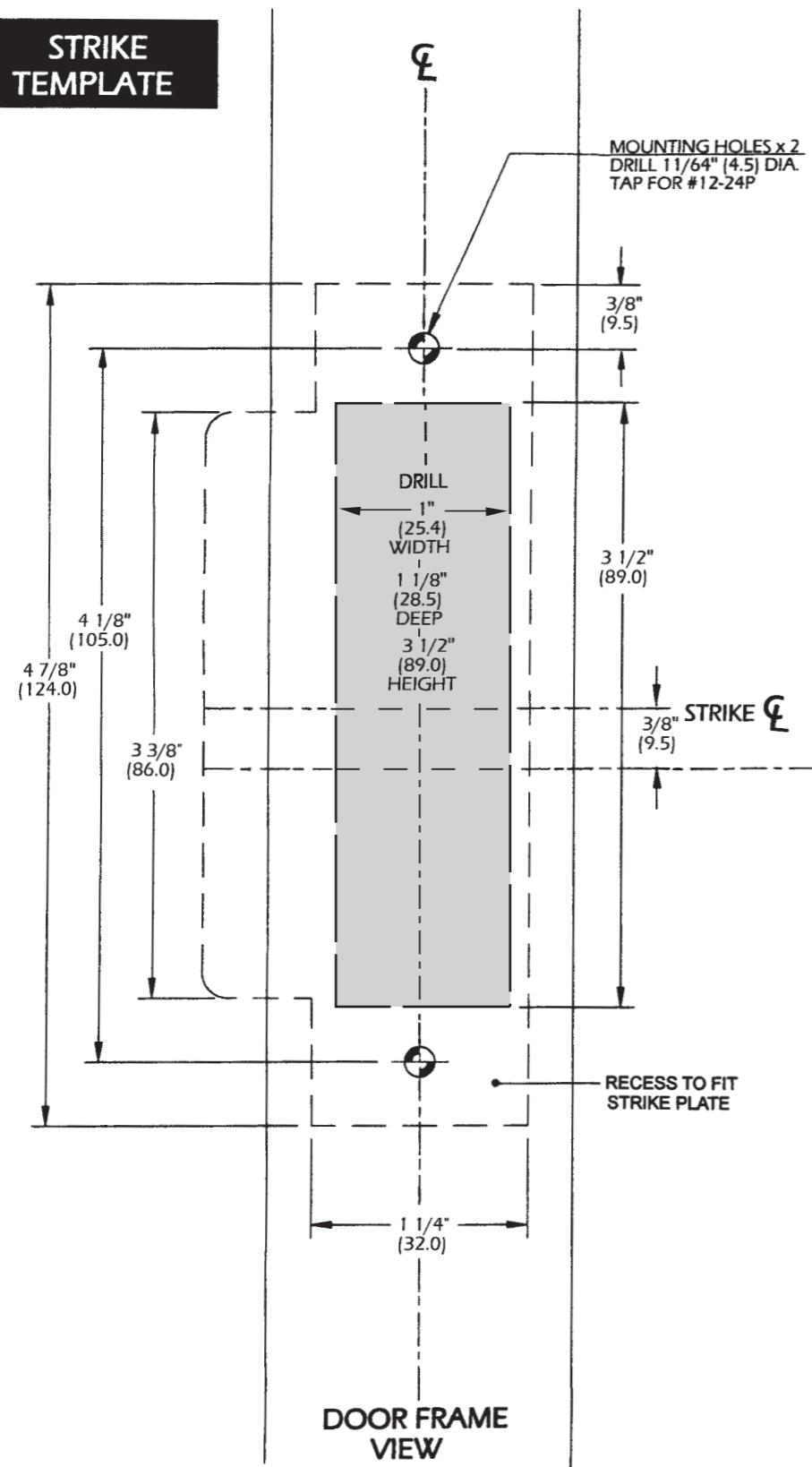
MORTISE LOCK INSTALLATION TEMPLATE



STRIKE TEMPLATE



STRIKE TEMPLATE



FOR OPPOSITE HAND PLEASE SEE REVERSE SIDE

MORTISE LOCK INSTALLATION TEMPLATE

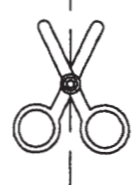
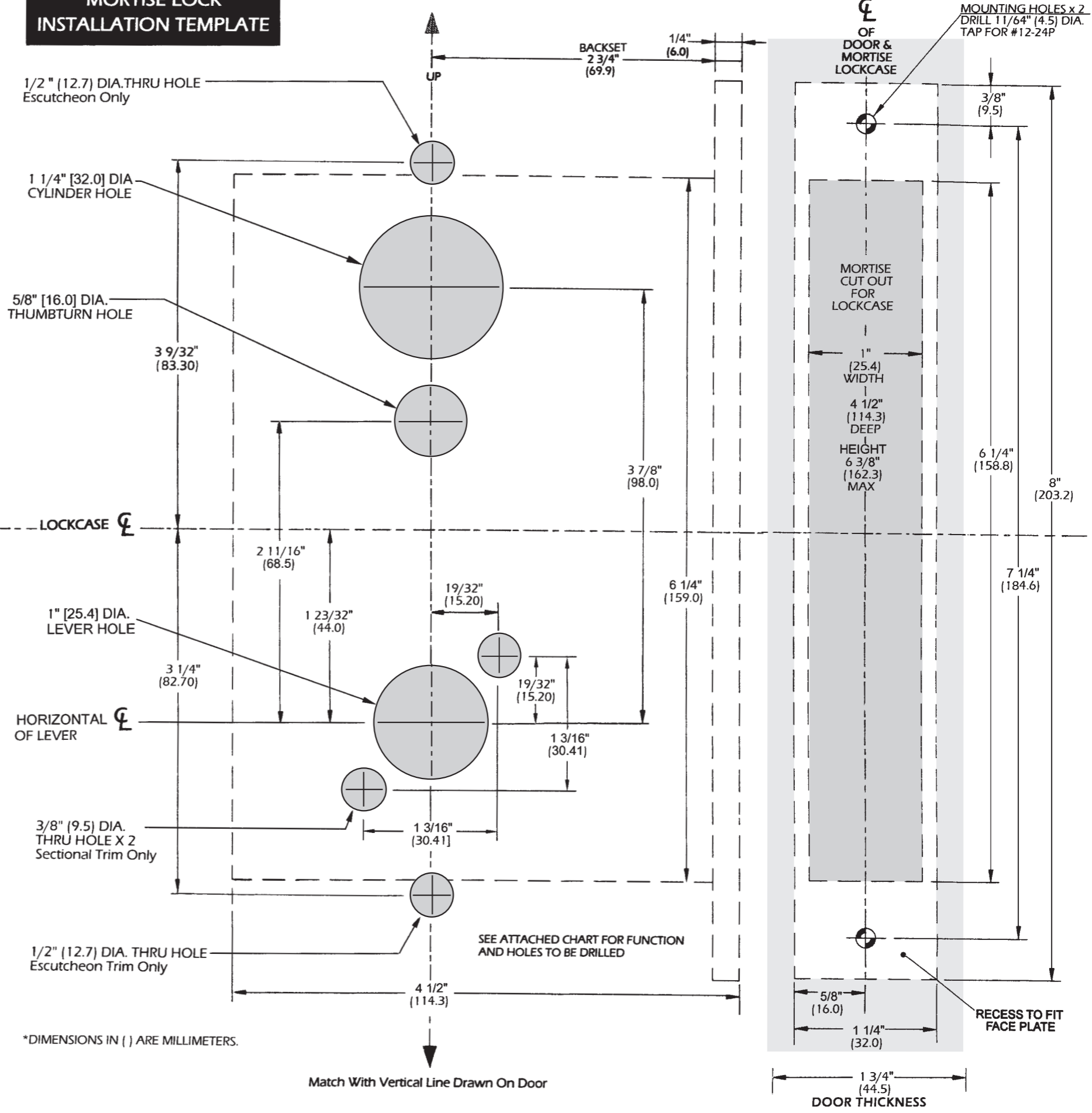


CHART FOR DRILLING TRIM HOLES

FUNCTIONS			OUTSIDE			INSIDE		
MORTISE LOCK DESCRIPTIONS	ANSI	MODEL NO.	LEVER HOLE	CYLINDER HOLE	THUMBTURN HOLE	LEVER HOLE	CYLINDER HOLE	THUMBTURN HOLE
Passage	F01	M1001	●			●		
Privacy (w/dead bolt)	F02	M2402	●		●	●		●
Entrance / Office(w/toggle)	F04	M3004	●	●		●		
Classroom	F05	M2005	●	●		●		
Storeroom or Closet	F07	M2007	●	●		●		
Apartment	F09	M2009	●	●		●	●	
Dormitory or Exit (w/toggle)	F11	M3411	●	●		●	●	
Dormitory or Exit	F13	M2413	●	●		●		●
Store Door	F14	M2414	●	●		●	●	
Hotel Guest Room	F15	M3415	●	●		●		●
Dead Lock - Double Cylinder	F16	M1416		●			●	
Dead Lock - Cylinder / Thumbturn	F17	M1417		●				●
Dead Lock - Single Cylinder	F18	M1418		●				
Privacy (w/dead bolt)	F19	M2419	●		●	●		●
Apartment Corridor (w/toggle)	F20	M3420	●	●		●		●
Room Door	F21	M2421	●	●		●		●
Privacy (w/o dead bolt)	F22	M1022	●		●	●		●
Classroom Dead Lock	F29	M1429		●				●
Asylum or Institution	F30	M2030	●	●		●	●	
Classroom Intruder Latch Bolt	F32	M2032	●	●		●	●	
Classroom Intruder Dead Bolt	F33	M2433	●	●		●	●	
Classroom Intruder Dead Bolt	F34	M3434	●	●		●	●	
Single Dummy		M0071	●					
Double Dummy		M0072	●			●		
Closet or Storeroom		M2465	●	●		●		
Entrance		M3485	●	●		●		●
All Purpose		M4486	●	●		●		●

REV : 03,06/2016